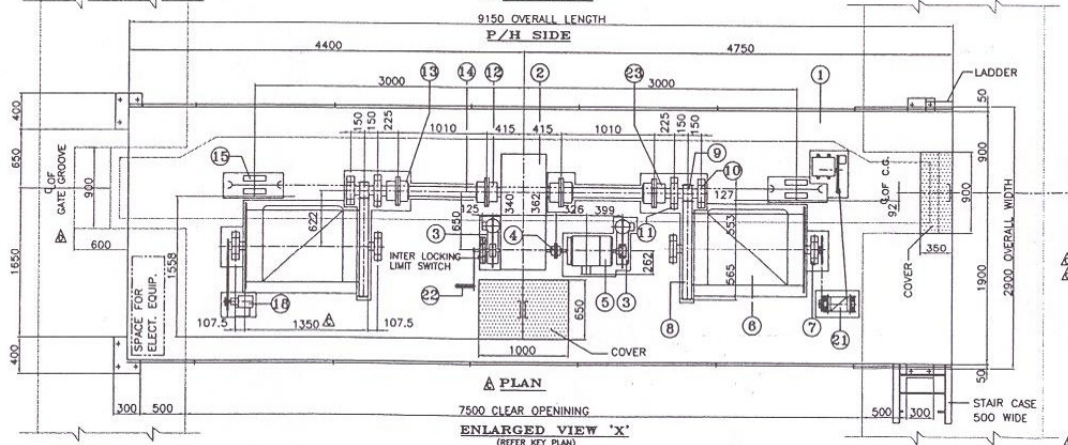
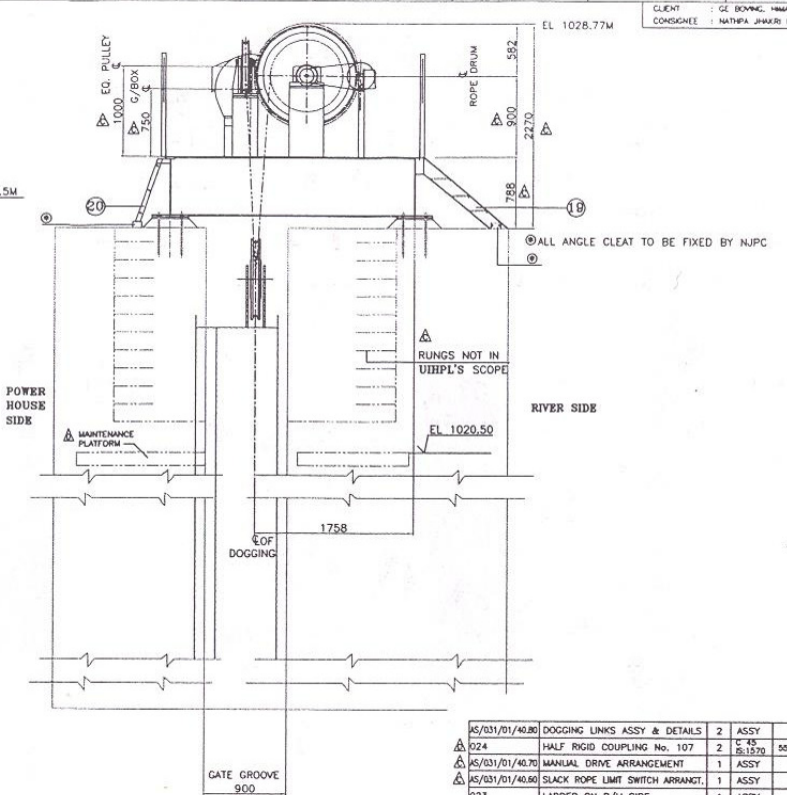
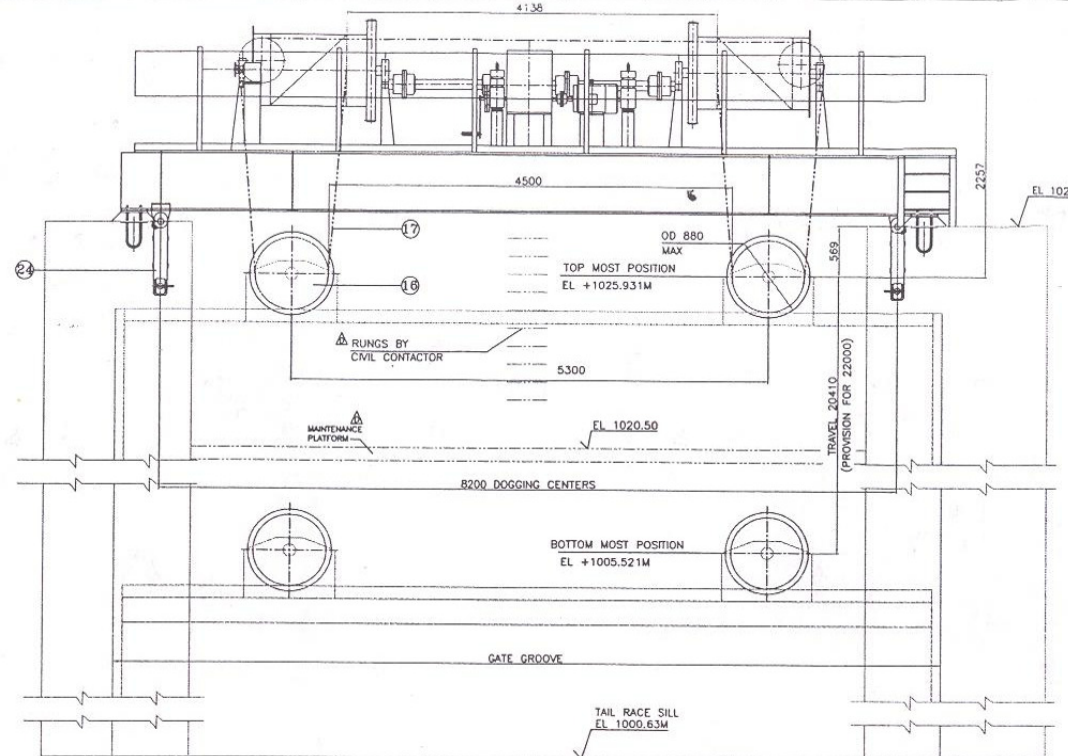


S/031/01/00.00

UNIQUE INDUSTRIAL HANDLERS (P) LTD.

CLIENT : GE BOING, MAHARAJA PRASAD LTD.
CONSIGNEE : NATHA JHAUR H. E. PROJECT.

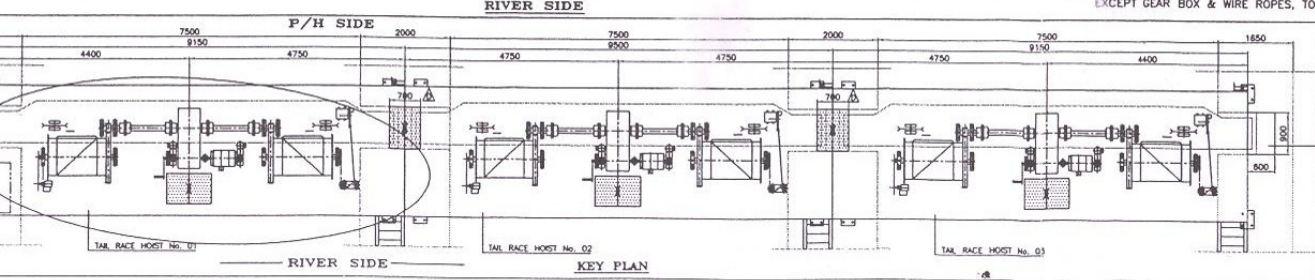


△ SIDE VIEW

△ IS CODE FOLLOWED

- 1. GENERAL-----IS:6938
- 2. WIRE ROPE-----IS:2256
- 3. SHEAVES-----IS:6938
- 4. COUPLINGS-----IS:1875 / IS:1030
- 5. MOTORS-----IS:325
- 6. BRAKES-----IS:3177

- NOTES**
- 1 ALL DIMENSIONS ARE IN MM UNLESS OTHERWISE SPECIFIED.
 - 2 POWER SUPPLY 415 V ± 6% AC 50Hz ± 3% AC.
 - 3 ALL ELECT. EQUIPMENT SUITABLE FOR EXTREME TEMP CONDITION OF -10°C TO 45°C
 - 4 THIS DRG. IS PREPARED BASED ON NJPC'S DRAWING NOS
 - A) NJ-TRG_185
 - B) NJ-TRG_182/R1
 - C) 29502
 - D) 28337/RC
 - E) 31088
 - 5 QTY GIVEN IN PART LIST IS FOR ONE HOIST ASSY.
 - 6 APPROX Wt OF HOIST : 12.5t
 - 7 INDIVIDUAL BOLTED COVER WILL BE PROVIDED ON ALL COMPONENTS EXCEPT GEAR BOX & WIRE ROPES, TO PROTECT AGAINST WEATHER.



OPENING WITH COVER ON PIER BY NJPC

1	---	PROCESSED AS BUILT	AM	20.08.02
2	---	RELEASED FOR PRODUCTION	AM	20.08.02
3	---	REVISED AS PER NJPC'S LETTER DTD 18.04.02	AM	20.04.02
4	---	REVISED AS PER NJPC'S LETTER DTD 23.03.02	AM	20.04.02
5	---	REVISED AS PER NJPC'S LETTER DTD 18.02.02	AM	20.03.02
6	---	FOR APPROVAL	AM	20.01.02
7	---	BRIEF RECORD	SGN	DATE
8	---	CHECKED	DATE	DATE
9	---	APPROVED	DATE	DATE

ITEM NO.	DESCRIPTION	QTY	MATERIAL	UNIT	TOTAL WT IN KG	REMARK	SR NO
AS/031/01/40.80	DOGGING LINKS ASSY & DETAILS	2	ASSY		198.0		24
024	HALF RIGID COUPLING No. 107	2	C 45 S1320	55.5	111.0	BORE #98	23
AS/031/01/40.70	MANUAL DRIVE ARRANGEMENT	1	ASSY		29.00		22
AS/031/01/40.60	SLACK ROPE LIMIT SWITCH ARRANGT.	1	ASSY		22.0		21
023	LADDER ON P/H SIDE	1	ASSY		8.0		20
022	STAIR CASE ON RIVER SIDE	1	ASSY		25.0		19
AS/031/01/40.50	ROTARY LIMIT SWITCH INSTALLATION	1	ASSY		15.0		18
021	WIRE ROPE CONST-6x36/CORE:FIBRE /UTS 180KG/mm ² GALV.	1	---	758.0	125M LB.	40# #	17
AS/031/01/40.40	BOTTOM PULLEY ASSEMBLY	2	ASSY	360.0	720.0	PCD 800	16
020	SUPPORT FOR EQ. PULLEY ASSY	2	F4110 S2092	23.0	46.0		15
AS/031/01/39.40	EQ. PULLEY ASSEMBLY	2	ASSY	187.0	374.0	PCD 480	14
019	FLOATING SHAFT #110 x 1000	2	C 45 S1320	70.37	140.74		13
018	HALF GEAR COUPLING No. 107	4	C 45 S1320	60.0	240.0	BORE #100	12
AS/031/01/40.10	HALF RIGID COUPLING No. 107	2	C 45 S1320	55.5	111.0	BORE #100	11
016	HEX BOLT M20x85LG+NUT+SP.WASHER	4	STD	---	---		10
015	SUPPORT FOR BEARING HOUSING HT:825	2	F4110 S2092	65.0	130.0	BRG.22218	9
014	HEX BOLT M20x85LG+NUT+SP.WASHER	4	STD	---	---		8
013	SUPPORT FOR BEARING HOUSING HT:830	2	F4110 S2092	58.0	116.0	BRG.22218	7
AS/031/01/40.30	SPUR PINION ASSEMBLY	2	ASSY	95.0	190.0	10M/18T	6
AS/031/01/40.20	SPUR GEAR ASSEMBLY	2	ASSY	240.0	480.0	10M/110T	5
012	HEX BOLT M20x85LG+NUT+SP.WASHER	8	STD	---	---		4
011	SUPPORT FOR BEARING HOUSING HT:785	4	F4110 S2092	74.00	296.00	BRG.22218	3
AS/031/01/40.10	ROPE DRUM INSTALLATION	2	ASSY	1250	2500	Ø 4	2
010	HEX BOLT M12x50LG+NUT+SP.WASHER	4	STD	---	---		1
009	SUPPORT FOR MOTOR HT:440	1	F4110 S2092	33.00	---		1
008	MOTOR-KW7.5/6P/40XCF/CL-F SC/TEFC/FRAME SIZE:CD160M	1	ASSY	111.0	---	S-3 DUTY	1
007	FULL GEAR COUPLING No.101	1	ASSY	10.00	---	BRG.Ø38/4	1
006	HEX BOLT M10x50LG+NUT+SP.WASHER	8	STD	---	---		1
005	SUPPORT FOR BRAKE HT:475	2	F4110 S2092	21.00	42.00		1
B-121/R2	BRAKE DRUM #160	1	S-1000 S1530	8.00	---	BORE #42	1
B-121/R2	BRAKE DRUM #160	1	S-1000 S1530	8.00	---	BORE #38	1
004	BRAKE EHT 160-18	2	ASSY	37.00	74.00	FRXØ 40	1
003	HEX BOLT M30x70LG+NUT+SP.WASHER	8	STD	---	---		1
002	SUPPORT FOR GEAR BOX HT:430	1	F4110 S2092	80.00	---		1
001	GEAR BOX HR 650+150 RATIO:381.08	1	ASSY	3000.0	---		1
AS/031/01/41.00	HOIST FRAME ASSEMBLY	1	ASSY	4800.0	---		1

UNIQUE INDUSTRIAL HANDLERS (P) LTD. **INDIA**

TITLE: **GENERAL ARRANGEMENT IS:6938**

FOR: **55t TAIL RACE HOIST**

DESIGNED BY: Kulkarni A. A. MATERIAL: ---

SCALE: 1 : 40

DATE: 28-01-2002

AS/031/01/00.00 1